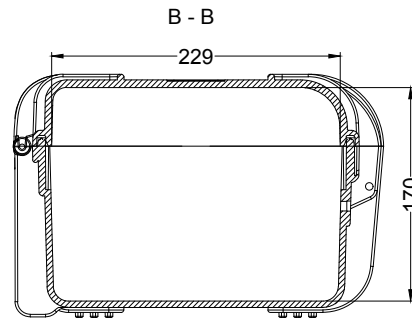
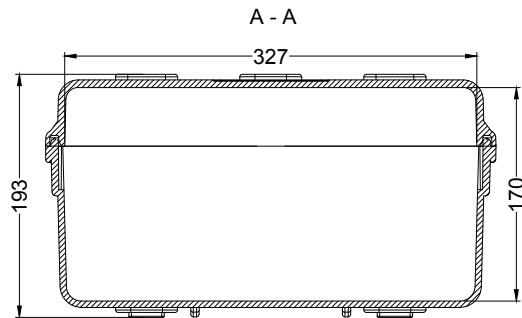
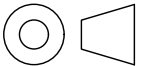


↑ EXTERNAL VIEW ↑
↓ INTERNAL VIEW ↓



VERSION HISTORY	
#	DATE
5.00	19-SEP-18
	NOTES
	ORIGINAL



THIRD ANGLE PROJECTION

TITLE
POLYPROOF 9L

SHEET
OVERVIEW

FIASCO.CO.NZ

DATE
19-SEP-18

DESIGNED
ASH ALGIE

PROJECT MANAGER
JOE BRADFORD

SCALE | 1:6
PAPER | A4
FILE | POLYPROOF 9L.dwg
PLOT | 03/11/2020 11:18 AM
SHEET | 1 OF 2

VERSION

5.00

INCLUDING PICK & PLUCK FOAM
brett@fiasco.co.nz // +64-21-2400-880