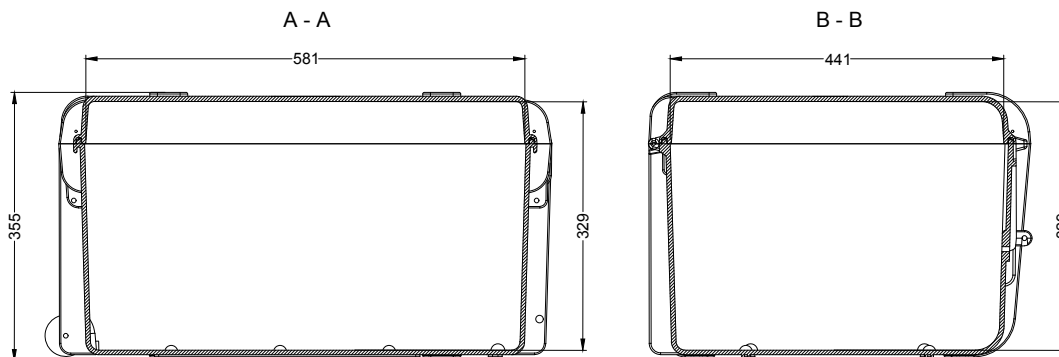


↑ EXTERNAL VIEW ↑  
↓ INTERNAL VIEW ↓



VERSION HISTORY	NOTES
#	DATE
5.00	04-OCT-18
	ORIGINAL



THIRD ANGLE PROJECTION

TITLE  
**POLYPROOF 84L**

SHEET  
**OVERVIEW**

**FIASCO.CO.NZ**

DATE  
**04-OCT-18**

DESIGNED  
**ASH ALGIE**

PROJECT MANAGER  
**JOE BRADFORD**

SCALE | 1:10  
PAPER | A4  
FILE | POLYPROOF 84L.dwg  
PLOT | 03/11/2020 11:23 AM  
SHEET | 1 OF 2

VERSION

