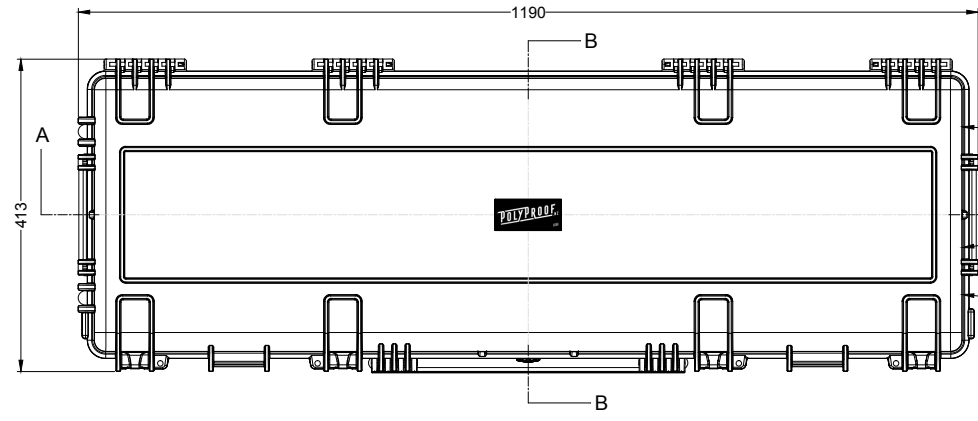
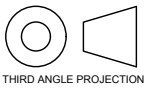


VERSION HISTORY	NOTES
#	DATE
5.00	04-OCT-18
	ORIGINAL



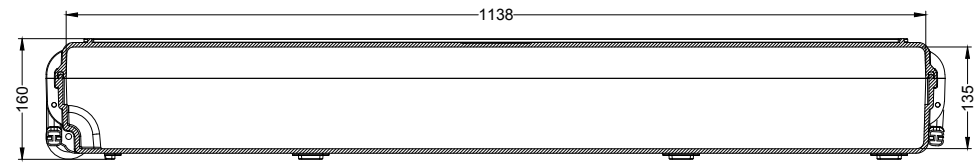
MADE OF GLASS-FILLED POLYPROPYLENE

IP67

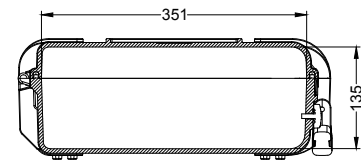
INTERNAL CAPACITY: 53L
SHIPPING VOLUME: 0.077M³
EMPTY WEIGHT: 9.6KG

↑ EXTERNAL VIEW ↑
↓ INTERNAL VIEW ↓

A - A



B - B



TITLE
POLYPROOF 1138i

SHEET
OVERVIEW

FIASCO.CO.NZ

DATE
04-OCT-18

DESIGNED
ASH ALGIE

PROJECT MANAGER
JOE BRADFORD

SCALE | 1:10
PAPER | A4
FILE | POLYPROOF 1138i.dwg
PLOT | 05/10/2018 03:41 PM
SHEET | 1 OF 2

VERSION



NZ\$325+GST
INCLUDING PICK & PLUCK FOAM
brett@fiasco.co.nz // +64-21-2400-880