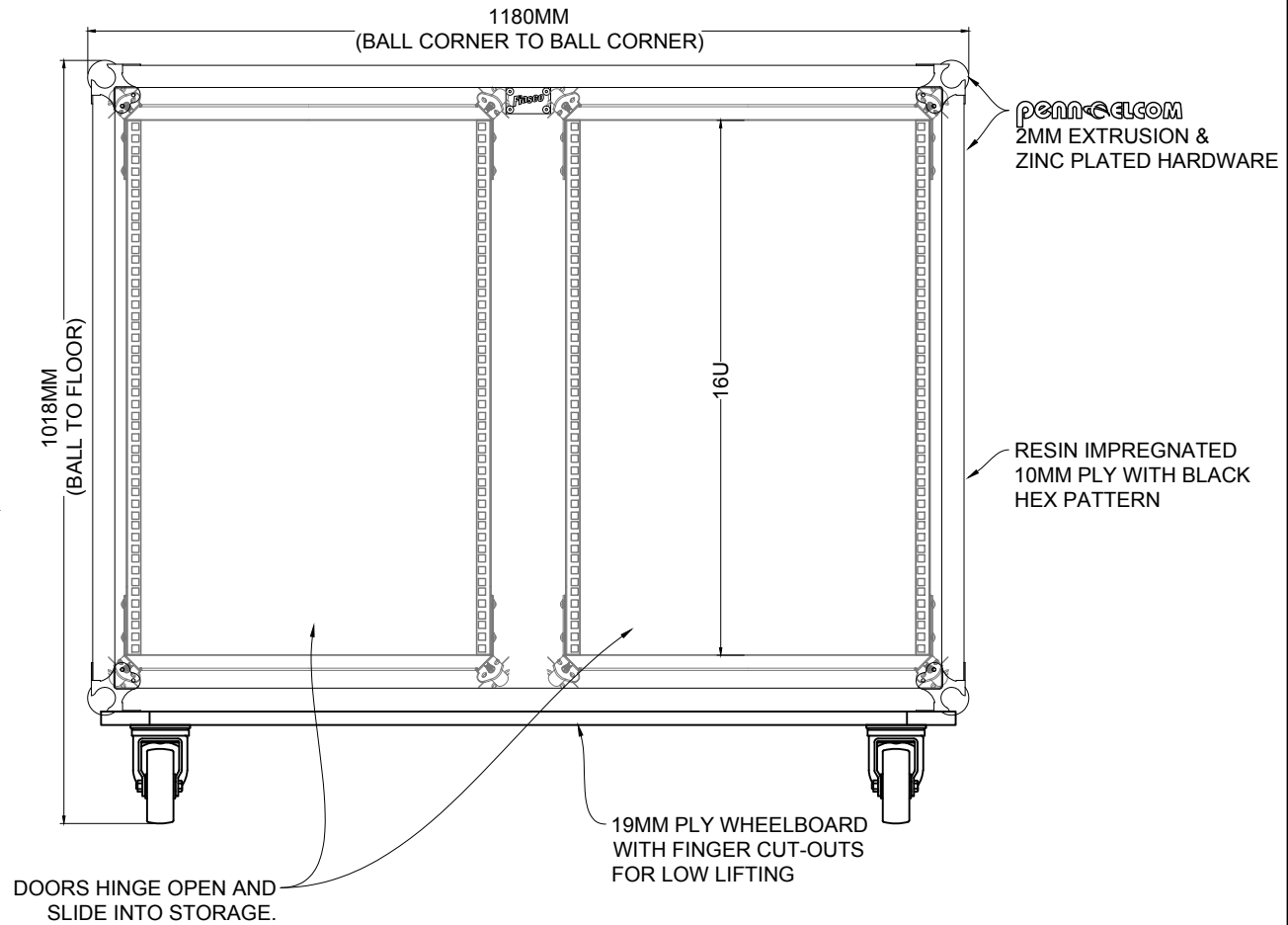
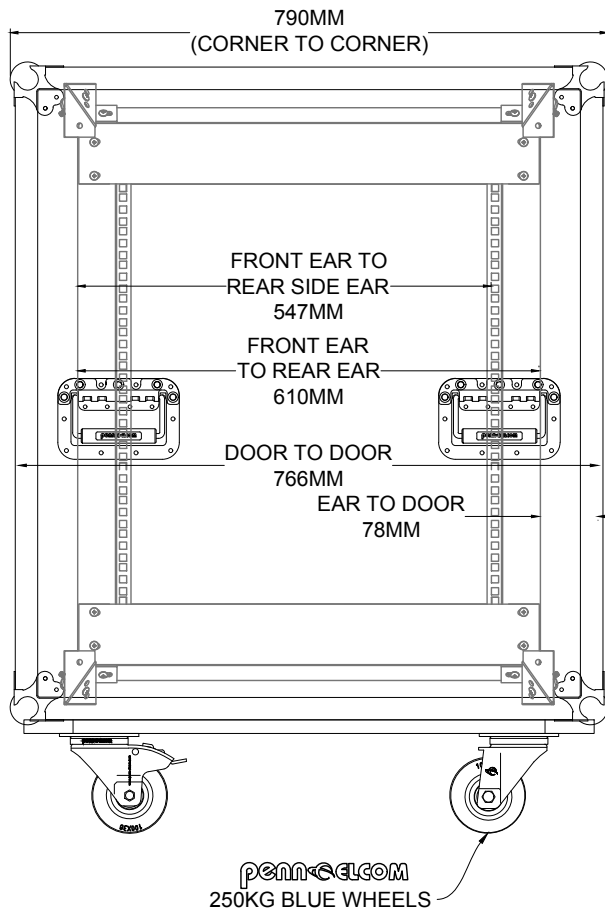
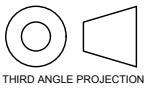


FIASCO CASES ARE OPTIMIZED
FOR TRUCK PACKOLOGY



VERSION HISTORY	NOTES
#	DATE
5.5	26-JUN-19
5.71	12-DEC-19
	ORIGINAL LATCH SIDE DOOR JAM MADE LARGER



TITLE
800 DOUBLE SLAM RACK 16U

SHEET
OVERVIEW

FIASCO.CO.NZ

DATE
24-JAN-2020

DESIGNED
ASH ALGIE

PROJECT MANAGER
BRETT WALLACE

SCALE	1:12
PAPER	A4
FILE	800 DOUBLE SLAM RACK 16U V5
PLOT	13/11/2020 01:23 PM
SHEET	1 OF 1

VERSION

