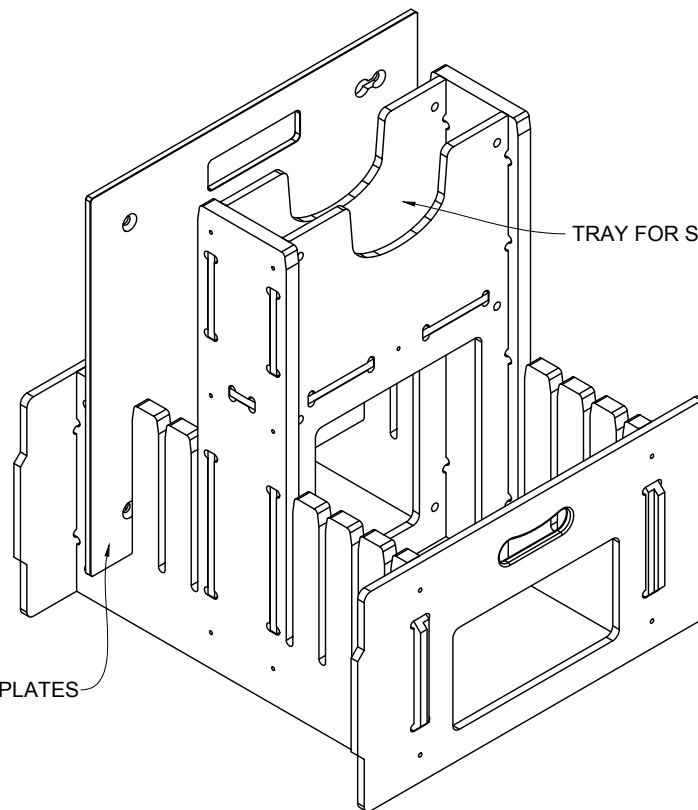
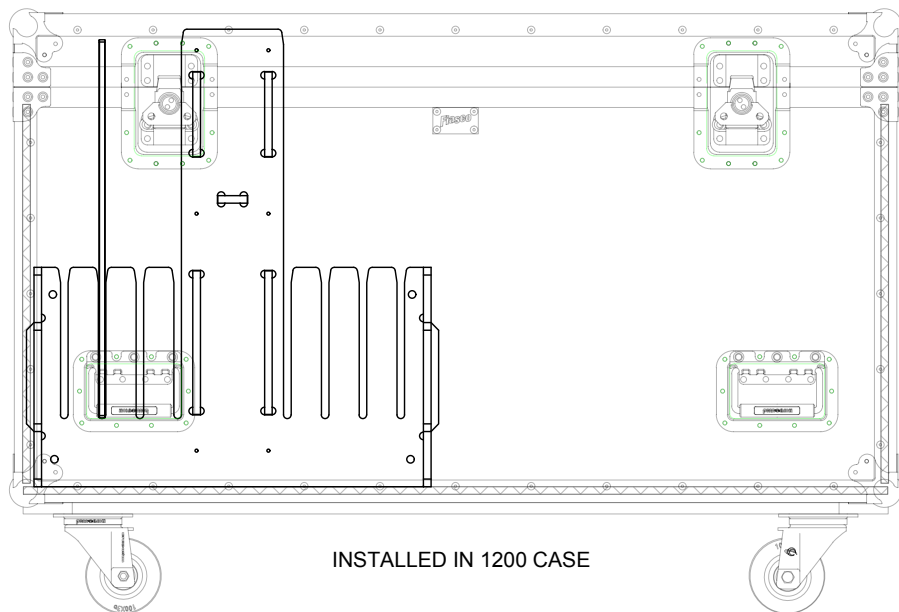


INSTALLED IN 600 CASE



TRAY FOR SPIGOTS AND PARTS

TAKES 8 DRAPE BASE PLATES



INSTALLED IN 1200 CASE

VERSION HISTORY	NOTES
#	DATE
5.01	20-MAY-16
5.02	16-SEP-16



THIRD ANGLE PROJECTION

TITLE
600 INSERT DRAPE BASE

SHEET
OVERVIEW

FIASCOCASES.COM

DATE
16-SEP-16

DESIGNED
MARTIN KAUBITZSCH

PROJECT MANAGER
JOE BRADFORD

SCALE | 1:10
PAPER | A4
FILE | BASE PLATE INSERTS A4.dwg
PLOT | 21/10/2019 10:04 AM
SHEET | 1 OF 1

VERSION



NZ\$175+GST

brett@fiasco.co.nz // +64-21-2400-880