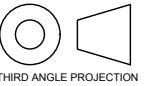


VERSION HISTORY	
#	DATE
1.00	18-OCT-13
5.00	18-OCT-16
5.01	25-OCT-19



TITLE
2400 PUSHUP CASE

SHEET
OVERVIEW

FIASCOCASES.COM

DATE
25-OCT-19

DESIGNED
ASH ALGIE

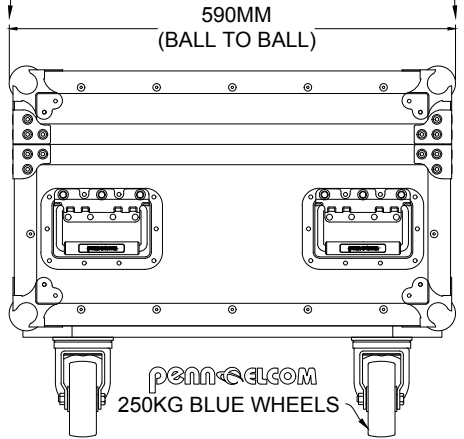
PROJECT MANAGER
JOE BRADFORD

SCALE | 1:10
PAPER | A4
FILE | 2400 PUSHUP CASE V5.01.dwg
PLOT | 13/11/2020 01:06 PM
SHEET | 1 OF 2

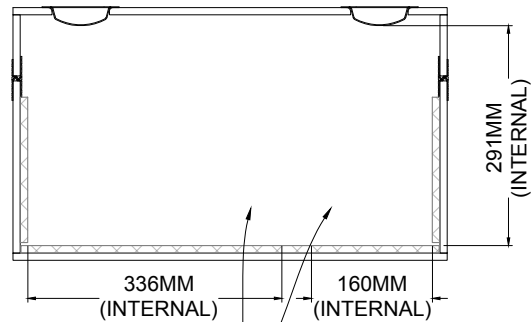
VERSION



FIASCO CASES AT 590MM STACK 4 WIDE
IN A STANDARD BOX TRUCK

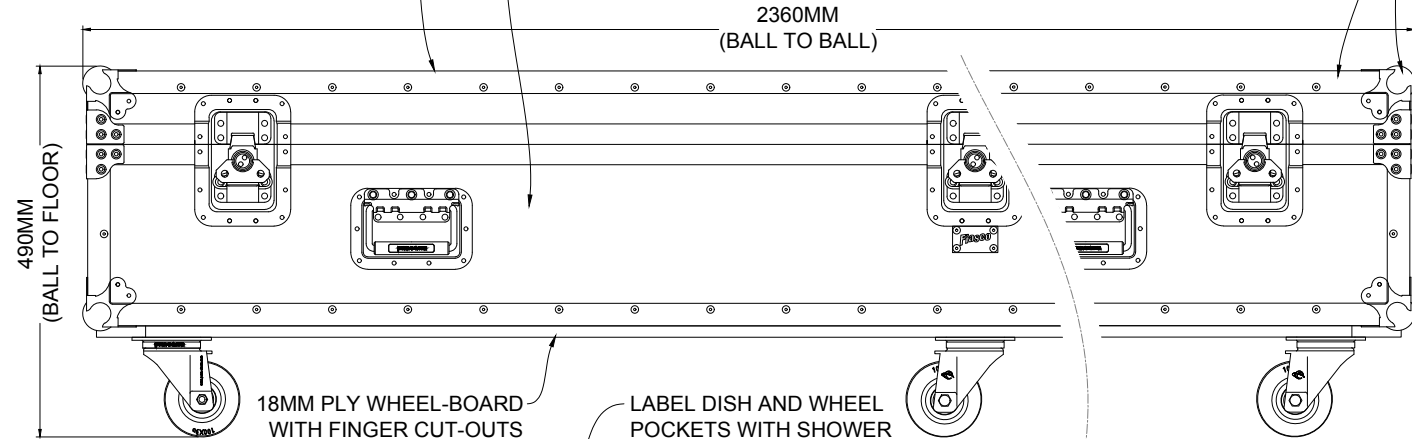


↑ EXTERNAL VIEW ↓
↓ INTERNAL VIEW ↑



SPACE FOR
24 PUSHUPS
24 CROSSBARS

2400 CASE FITTED WITH WHEEL
POCKETS FOR STACKING TWO
1200 CASES ON TOP



DURABLE HARD FOAM LINING

INTERNAL CAPACITY: 360L
SHIPPING VOLUME: 0.68M³
WEIGHT: 84.2KG